

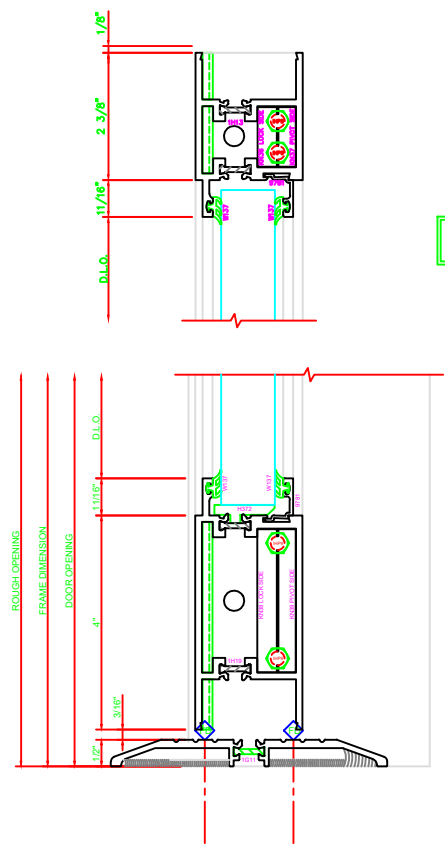
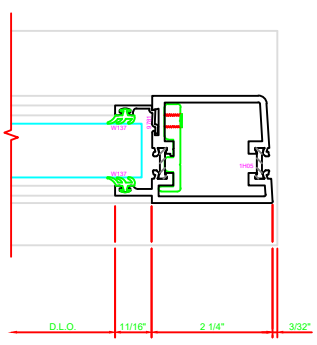
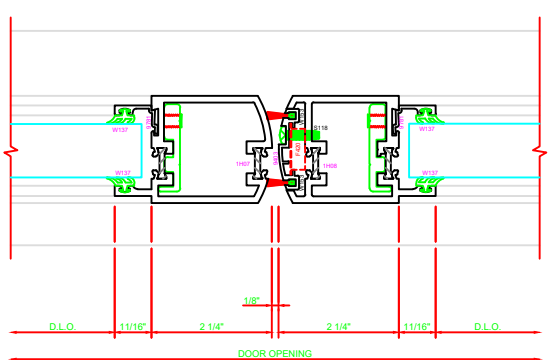
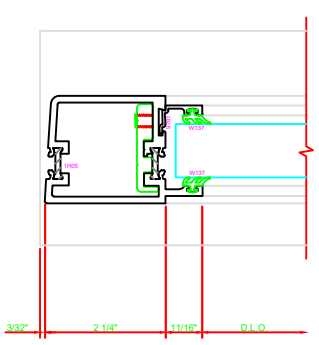
**300 STILE**  
S/A D202 FOR OFFSET PIVOTS

ERASE NOTE  
BUTT HINGES CAN NOT BE USED WITH THERMASTILE DOORS

**401 MEETING STILES**  
D202

**301 STILE**  
S/A D202 FOR OFFSET PIVOTS

ERASE NOTE  
BUTT HINGES CAN NOT BE USED WITH THERMASTILE DOORS



**100 TOP RAIL**  
S/A D202

ERASE NOTE  
TOP RAIL FOR SURFACE CLOSERS, OR DORMA TYPE C.O.C., NOT LCN C.O.C.

**200 BOTTOM RAIL**  
S/A D202